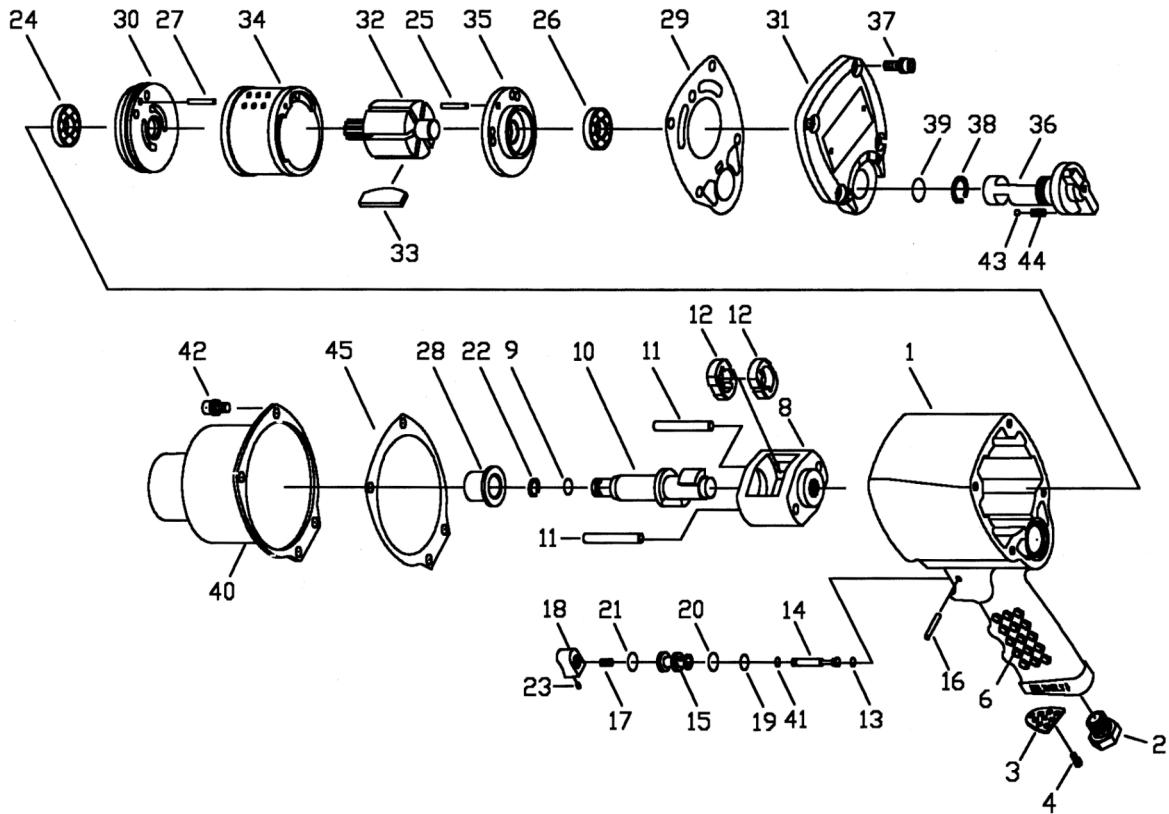


Model No: THZ672
3/4" Heavy Duty Air Impact Wrench

aurora tools



Part No.	Order No.	Description	Qty
1	TJZ445	HOUSING/VALVE SLEEVE	1
2	TJZ446	AIR INLET	1
3	TJZ447	EXHAUST DEFLECTOR	1
4	TJZ448	SCREW	1
6	TJZ449	RUBBER GRIP	1
8	TJZ450	HAMMER CAGE	1
9	TJZ451	O-RING	1
10	TJZ452	ANVIL	1
11	TJZ453	HAMMER PIN	2
12	TJZ454	HAMMER	2
13	TJZ455	O-RING	1
14	TJZ456	VALVE STEM	1
15	TJZ457	VALVE BUSHING	1
16	TJZ458	SPRING PIN	1
17	TJZ459	SPRING	1
18	TJZ460	TRIGGER	1
19	TJZ461	O-RING	1
20	TJZ462	O-RING	1
21	TJZ463	O-RING	1
22	TJZ464	ANVIL COLLAR	1
23	TJZ465	SET SCREW	1
24	TJZ466	BALL BEARING	1

Part	Order		
25	TJZ467	PIN	1
26	TJZ468	BALL BEARING	1
27	TJZ469	PIN	1
28	TJZ470	BUSHING	1
29	TJZ471	GASKET	1
30	TJZ472	FRONT END PLATE	1
31	TJZ473	REAR COVER	1
32	TJZ474	ROTOR	1
33	TJZ475	ROTOR BLADE	6
34	TJZ476	CYLINDER	1
35	TJZ477	REAR END PLATE	1
36	TJZ478	REGULATOR KNOB	1
37	TJZ479	SCREW & SPRING WASHER	4
38	TJZ480	INVERTED RETAINING RING	1
39	TJZ481	O-RING	1
40	TJZ482	HOUSING COVER	1
41	TJZ483	O-RING	1
42	TJZ484	SCREW & SPRING WASHER	4
43	TJZ485	STEEL BALL	1
44	TJZ486	SPRING	1
45	TJZ487	GASKET	1