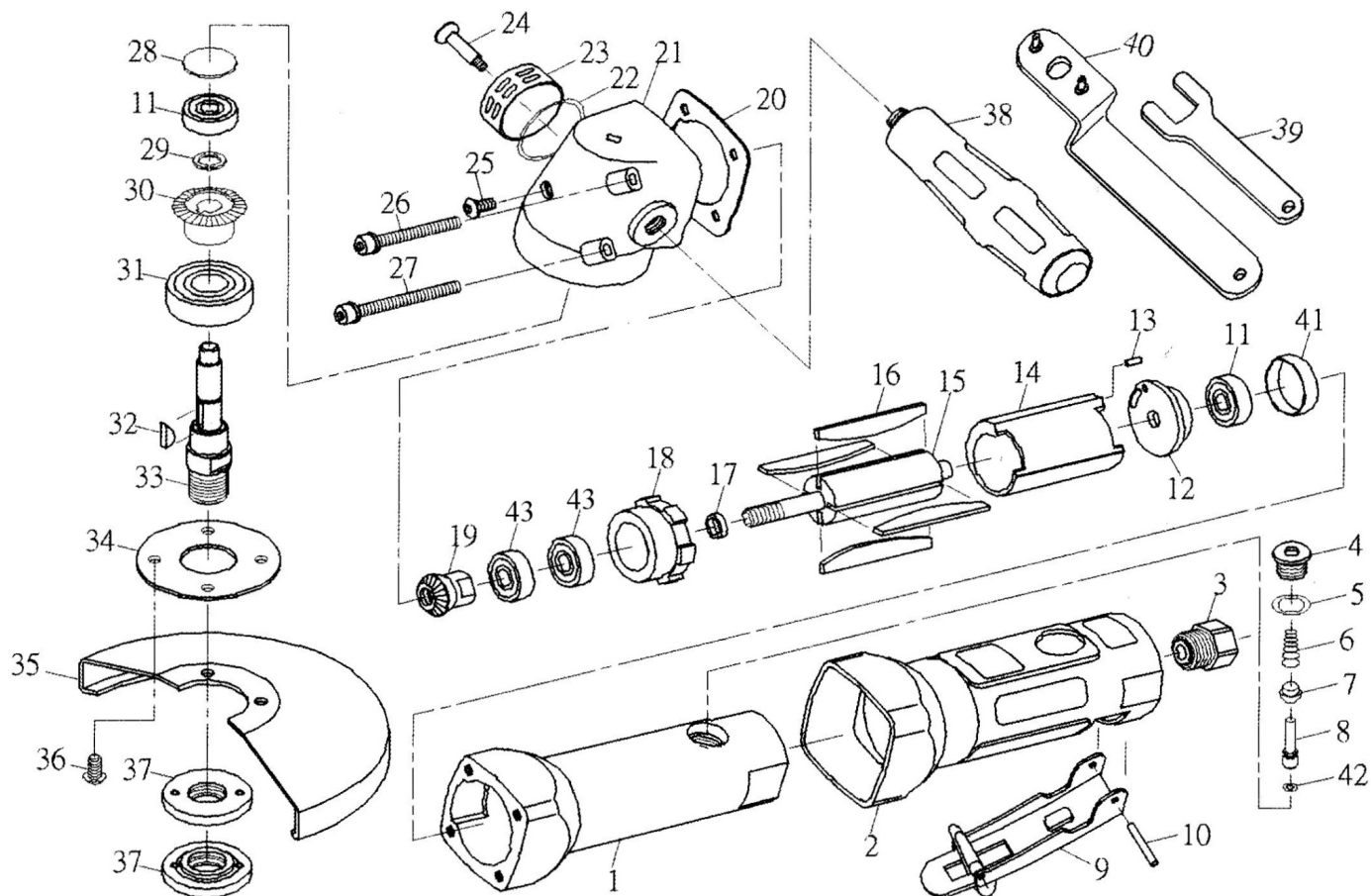


**Model No.: THZ674**  
**5" Pneumatic Angle Grinder**

**aurora tools®**



Part No.	Model No.	Description	Qty
01	TJZ541	HOUSING	1
02	TJZ542	RUBBER	1
03	TJZ543	AIR INLET	1
04	TJZ544	SCREW	1
05	TJZ545	O-RING	1
06	TJZ546	SPRING	1
07	TJZ547	VALVE STEM BUSHING	1
08	TJZ548	VALVE STEM	1
09	TJZ549	LEVER	1
10	TJZ550	PIN	1
11	TJZ551	BEARING (608ZZ)	4
12	TJZ552	REAR PLATE	1
13	TJZ553	PIN (STEEL BALL)	1
14	TJZ554	CYLINDER	1
15	TJZ555	ROTOR	1
16	TJZ556	ROTOR BLADE	4
17	TJZ557	BEARING SPACER	1
18	TJZ558	FRONT PLATE	1
19	TJZ559	BEVEL GEAR	1
20	TJZ560	PACKING	1
21	TJZ561	ANGLE HOUSING	1

Part No.	Model No.	Description	Qty
22	TJZ562	O-RING	1
23	TJZ563	EXHAUST SLEEVE	1
24	TJZ564	SCREW	1
25	TJZ565	SCREW	1
26	TJZ566	SCREW (M5*45L)	1
27	TJZ567	SCREW (M5*55L)	2
28	TJZ568	SPACER	1
29	TJZ569	RETAINING RING	1
30	TJZ570	BEVEL GEAR	1
31	TJZ571	BEARING (6202ZZ)	1
32	TJZ572	KEY	1
33	TYL762	SHAFT	1
34	TJZ573	FACE PLATE	1
35	TJZ574	DISC COVER (5")	1
36	TJZ575	SCREW	4
37	TJZ576	DISC NIUT (5")	2
38	TJZ577	HANDLE	1
39	TJZ579	STOP SPANNER (14MM)	1
40	TJZ580	DISC SPANNER (5*)	1
41	TJZ726	SHROUD	1
42	TJZ582	O-RING	1