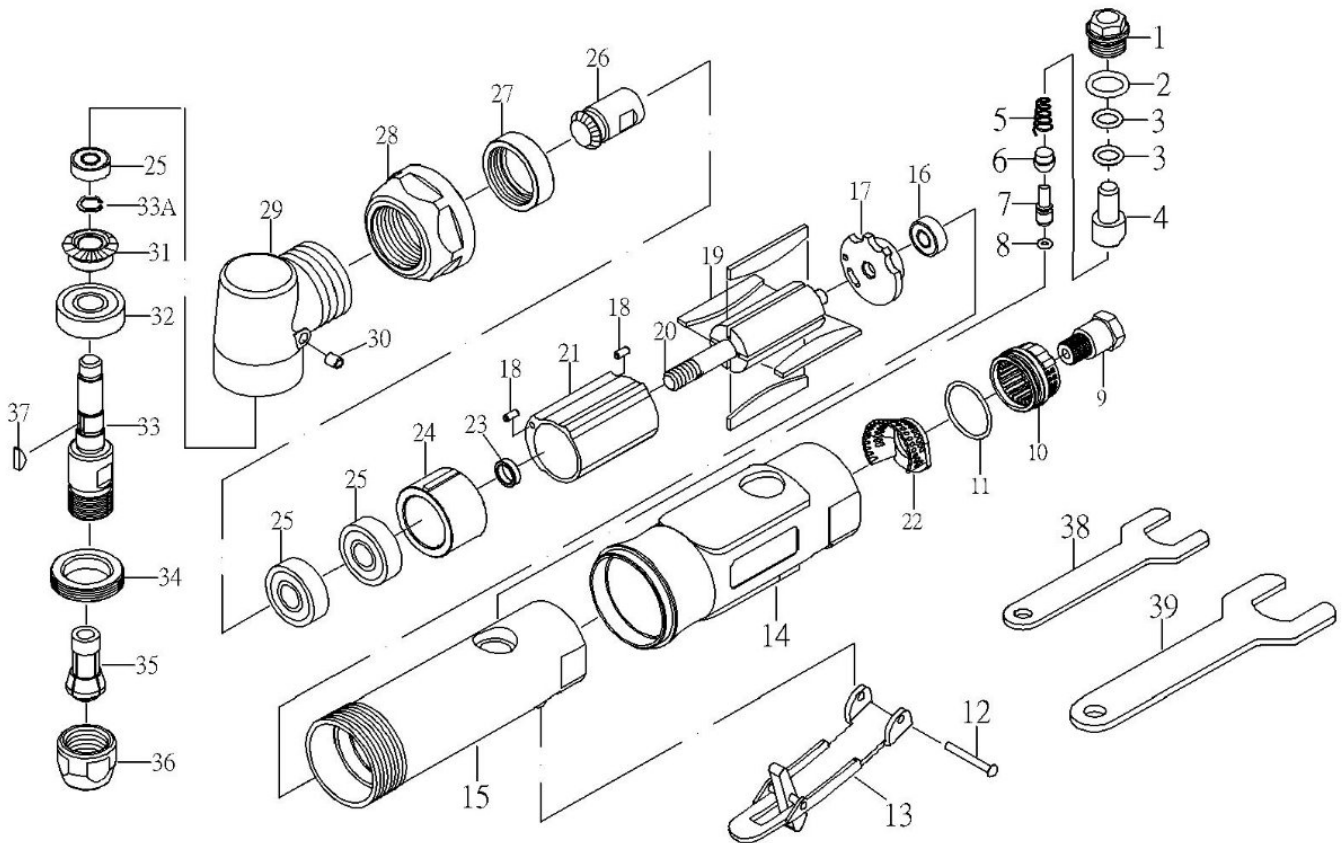


**Model No: THZ679**  
**1/4" Pneumatic Angle Die Grinder**

**aurora tools**



Part No.	Order No.	Description	Qty
01	TJZ705	SCREW	1
02	TJZ650	O-RING (P12)	1
03	TJZ651	O-RING (P8)	2
04	TJZ706	AIR REGULATOR	1
05	TJZ653	SPRING	1
06	TJZ654	VALVE STEM BUSHING	1
07	TJZ707	VALVE STEM	1
08	TJZ656	O-RING (3.5*1.4)	1
09	TJZ657	AIR INLET	1
10	TJZ708	EXHAUST SLEEVE	1
11	TJZ709	O-RING (26.7*1.78)	1
12	TJZ660	SPRING PIN	1
13	TJZ661	LEVER	1
14	TJZ710	PROTECTING RUBBER	1
15	TJZ711	HOUSING	1
16	TJZ664	BEARING (696ZZ)	1
17	TJZ712	REAR PLATE	1
18	TJZ713	PIN	2
19	TJZ714	ROTOR BLADE	4
20	TJZ715	ROTOR	1

Part No.	Order No.	Description	Qty
21	TJZ716	CYLINDER	1
22	TJZ717	CONE MUFFLER	1
23	TJZ696	BEARING SPACER	1
24	TJZ718	FRONT PLATE	1
25	TJZ698	BEARING (608ZZ)	3
26	TJZ719	BEVEL GEAR (18T)	1
27	TJZ720	NUT	1
28	TJZ721	CLAMP NUT	1
29	TJZ722	ANGLE HOUSING	1
30	TJZ723	OIL CUP	1
31	TJZ724	BEVEL GEAR (20T)	1
32	TJZ725	BEARING (6000ZZ)	1
33	TJZ581	SHAFT	1
33A	TLY763	<b>SNAP RING</b>	1
34	TJZ727	CLAMP NUT	1
35	TJZ702	COLLET	1
36	TJZ703	COLLET NUT	1
37	TJZ728	KEY	1
38	TJZ681	STOP SPANNER 14MM	1
39	TJZ704	STOP SPANNER 19MM	1