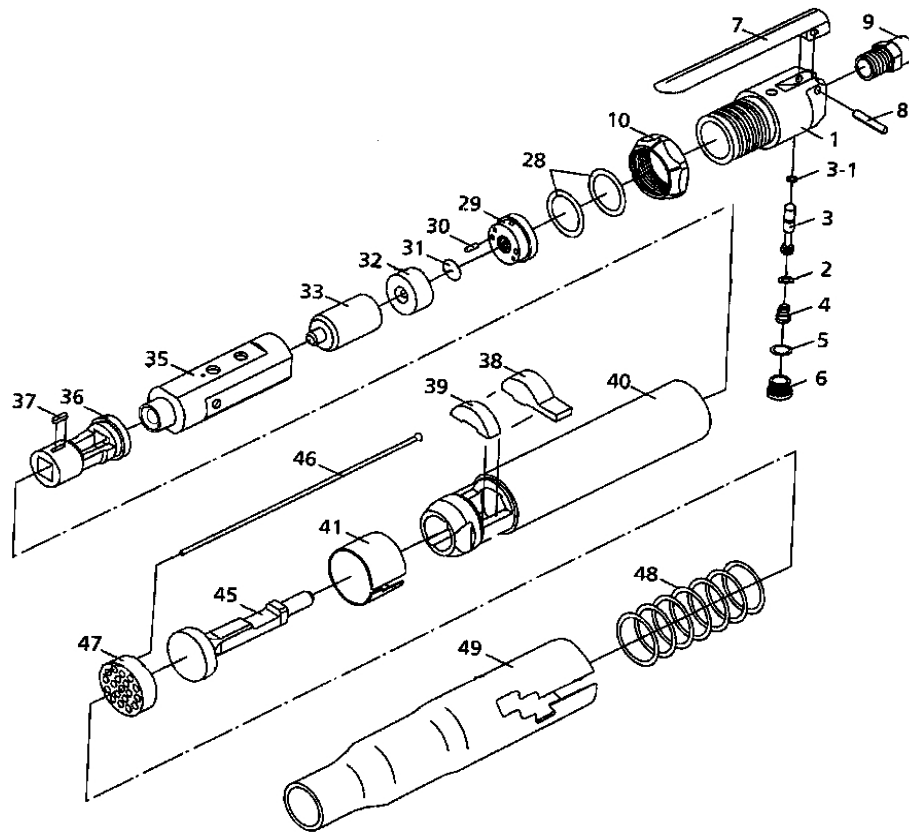


Model No.: TLZ131
Air Needle Scaler

aurora tools[®]



Part No.	Model No.	Description	Qty	Part No.	Model No.	Description	Qty
1	730213	Backhead	1	32	729606	Front valave block	1
2	729591	O-ring (P4)	1	33	730219	Piston	1
3	730214	Throttle valve	1	35	731008	Barrel sleeve	1
3-1	730214-1	O-ring (P3.5*1.5)	1	36	731009	Nose	1
4	730215	Spring	1	37	731010	Key	1
5	1008365	O-ring (8x2.5)	1	38	730220	Driver retainer	1
6	730216	Valve cap	1	39	730221	Retainer buffer	1
7	730217	Lever	1	40	730223	Barrel	1
8	729538	Pin (5x22)	1	41	730222	Retainer clip	1
9	729747	Hose adapter	1	45	730224	Needle driver	1
10	729597	Lock ring	1	46	730280	3 mm needle set	19
28	730218	Alignment shim	2	47	730225	Needle holder	1
29	729608	Rear valve block	1	48	730226	Spring	1
30	1012591	Pin (3x14)	2	49	730227	Needle tube	1
31	729604	Valve	1	50	730228	Needle - option	1